

DS-2CD2421G0-I(D)W 2MP IR Fixed Cube Network Camera



- High quality imaging with 2 MP resolution
- Efficient H.265+ compression technology
- Provides real-time security via built-in two-way audio
- Detects human body through passive infrared is sensitive to body temperature (PIR)
- -W: Wi-Fi connection
- -D: DC power supply



▪ Specification

Camera	
Image Sensor	1/2.7" Progressive Scan CMOS
Min. Illumination	Color: 0.028 Lux @ (F2.0, AGC ON)
Shutter Speed	1/3 s to 1/100,000 s
Slow Shutter	Yes
Day & Night	IR Cut Filter
Angle Adjustment	Pan: 0° to 360°, Tilt: 0° to 90°, Rotate: 0° to 360°
WDR	DWDR
Lens	
Lens	2 mm/2.8 mm/4 mm
Aperture	F2.0
FOV	2 mm: horizontal FOV: 132°, vertical FOV: 77°, diagonal FOV: 153° 2.8 mm: horizontal FOV: 107°, vertical FOV: 57°, diagonal FOV: 126° 4 mm: horizontal FOV: 85°, vertical FOV: 45°, diagonal FOV: 101°
Lens Mount	M12
Illuminator	
IR Range	Up to 10 m
Wavelength	850 nm
Video	
Max. Resolution	1920 × 1080
Main Stream	50Hz: 25 fps (1920 × 1080, 1280 × 720) 60Hz: 30 fps (1920 × 1080, 1280 × 720)
Sub Stream	50Hz: 25 fps (640 × 360) 60Hz: 30 fps (640 × 360)
Video Compression	Main stream: H.265+/H.264+/H.265/H.264 Sub-stream: H.265/H.264/MJPEG
H.264 Type	Baseline Profile/Main Profile
H.265 Type	Main Profile
Video Bit Rate	32 Kbps to 8 Mbps
Audio	
Audio Compression	G.711/G.722.1/G.726/MP2L2/PCM/MP3
Audio Bit Rate	64Kbps(G.711)/16Kbps(G.722.1)/16Kbps(G.726)/32-192Kbps(MP2L2)/8Kbps-320Kbps(MP3)
Environment Noise Filtering	Yes
Audio Sampling Rate	8 kHz/16 kHz
Smart Feature-Set	
Basic Event	Motion detection, video tampering alarm, exception (network disconnected, IP address conflict, illegal login, HDD full, HDD error), scene change detection
Linkage Method	Upload to FTP/NAS/memory card, notify surveillance center, trigger recording, trigger capture, audible warning
Image	
Image Enhancement	BLC, HLC, 3D DNR
Image Setting	Saturation, brightness, contrast, sharpness, AGC and white balance adjustable by client software or web browser

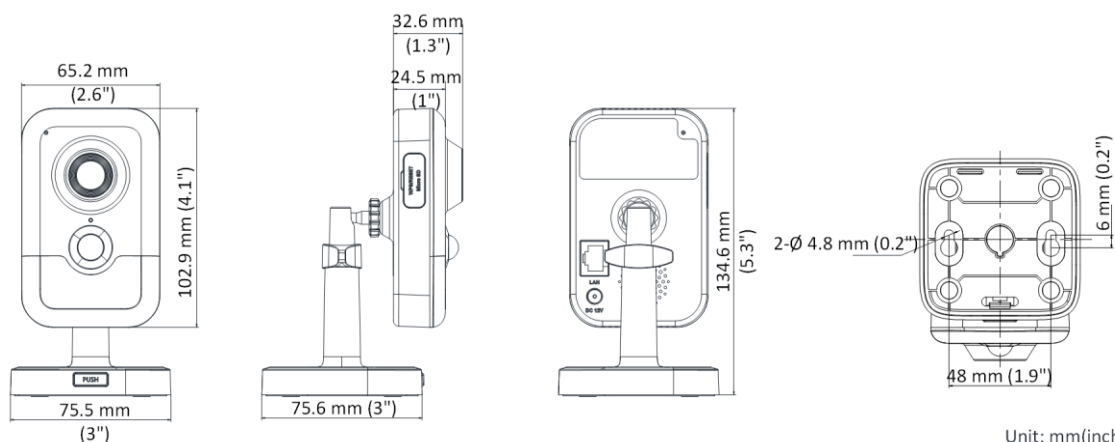
Day/Night Switch	Day/Night/Auto/Schedule
Wi-Fi	
Protocol	IEEE802.11b, 802.11g, 802.11n
Frequency	2.4 GHz - 2.4835 GHz
Channel Bandwidth	20/40MHz Support
Modulation	802.11b: DSSS, 802.11g: OFDM, 802.11n(20MHz&40MHz): OFDM
Security	64/128-bit WEP, WPA-EAP/WPA2-EAP, WPA-PSK/WPA2-PSK
Transfer Rate	11b: 11Mbps, 11g: 54Mbps, 11n: up to 150Mbps
Wireless Range	50 meters (The performance varies based on actual environment)
Network	
Network Storage	MicroSD/SDHC/SDXC card (256 GB) local storage, ANR and NAS (NFS, SMB/CIFS)
Protocols	TCP/IP, ICMP, DHCP, DNS, DDNS, RTP, RTSP, NTP, UPnP, SMTP, IGMP, IPv6, UDP, QoS, Bonjour
API	ONVIF (PROFILE S, PROFILE G), ISAPI, SDK
Security	Password protection, complicated password, IP address filter, Watermark, HTTPS encryption, basic and digest authentication for HTTP/HTTPS, WSSE and digest authentication for ONVIF, 802.1X authentication (EAP-MD5)
Simultaneous Live View	Up to 6 channels
User/Host	Up to 32 users, 3 levels: administrator, operator and user
Client	iVMS-4200, Hik-Connect, iVMS-4500, iVMS-5200
Web Browser	IE8+, Chrome 31.0-44, Firefox30.0-51, Safari8.0+
Interface	
Communication Interface	1 RJ45 10M/100M self-adaptive Ethernet port
Audio	1 input (built-in microphone), 1 output (built-in speaker)
On-board Storage	Built-in micro SD/SDHC/SDXC slot, up to 256 GB
General	
General Function	Anti-flicker, heartbeat, mirror, password protection, privacy mask, flash log
Reset	Reset via reset button on camera body, web browser and client software
Startup and Operating Conditions	-10 °C to 40°C (14 °F to 104 °F), humidity 95% or less (non-condensing)
Storage Conditions	-10 °C to 40°C (14 °F to 104 °F), humidity 95% or less (non-condensing)
Power Supply	DS-2CD2421G0-IW: 12 VDC ± 25%, Ø5.5 mm coaxial power plug; PoE (802.3af, class 3) DS-2CD2421G0-IDW: 12 VDC ± 25%, Ø5.5 mm coaxial power plug DS-2CD2421G0-I: 12 VDC ± 25%, Ø5.5 mm coaxial power plug; PoE (802.3af, class 3)
Power Consumption and Current	DS-2CD2421G0-IW: 12 VDC, 0.54 A, max. 6.5 W PoE (802.3af, 36 V to 57 V), 0.21 A to 0.13 A, max. 7.5 W DS-2CD2421G0-IDW: 12 VDC, 0.54 A, max. 6.5 W DS-2CD2421G0-I: 12 VDC, 0.42 A, max. 5 W PoE (802.3af, 36 V to 57 V), 0.17 A to 0.11 A, max. 6 W
Material	Plastic

Dimensions	Camera: 102.9 × 65.2 × 32.6 mm (4" × 2.6" × 1.3") With package: 150 × 125 × 99 mm (5.9" × 4.9" × 3.9")
Weight	Camera: Approx. 120 g (0.3 lb.) With package: Approx. 380 g (0.8 lb.)
Approval	
EMC	FCC (47 CFR Part 15, Subpart B); CE-EMC (EN 55032: 2015, EN 61000-3-2: 2014, EN 61000-3-3: 2013, EN 50130-4: 2011 +A1: 2014); RCM (AS/NZS CISPR 32: 2015); IC (ICES-003: Issue 6, 2016); KC (KN 32: 2015, KN 35: 2015)
Safety	UL (UL 60950-1); CB (IEC 60950-1:2005 + Am 1:2009 + Am 2:2013); CE-LVD (EN 60950-1:2005 + Am 1:2009 + Am 2:2013); BIS (IS 13252(Part 1):2010+A1:2013+A2:2015); LOA (IEC/EN 60950-1)
Chemistry	CE-RoHS (2011/65/EU); WEEE (2012/19/EU); Reach (Regulation (EC) No 1907/2006)
Protection	Ingress protection: IP66 (IEC 60529-2013), IK10(IEC 62262:2002)

▪ Available Model

DS-2CD2421G0-IW(2.8mm, 4mm)(W)

▪ Dimension





Distributed by

**HIKVISION®****Headquarters**

No.555 Qianmo Road, Binjiang District,
Hangzhou 310051, China
T +86-571-8807-5998
overseasbusiness@hikvision.com

Hikvision USA

T +1-909-895-0400
sales.usa@hikvision.com

Hikvision Australia

T +61-2-8599-4233
salesau@hikvision.com

Hikvision India

T +91-22-28469900
sales@pramahikvision.com

Hikvision Canada

T +1-866-200-6690
sales.canada@hikvision.com

Hikvision Thailand

T +662-275-9949
sales.thailand@hikvision.com

Hikvision Europe

T +31-23-5542770
sales.eu@hikvision.com

Hikvision Italy

T +39-0438-6902
info.it@hikvision.com

Hikvision Brazil

T +55 11 3318-0050
Latam.support@hikvision.com

Hikvision Turkey

T +90 (216)521 7070- 7074
sales.tr@hikvision.com

Hikvision Malaysia

T +601-7652-2413
sales.my@hikvision.com

Hikvision UK & Ireland

T +01628-902140
sales.uk@hikvision.com

Hikvision South Africa

Tel: +27 (10) 0351172
sale.africa@hikvision.com

Hikvision France

T +33(0)1-85-330-450
info.fr@hikvision.com

Hikvision Kazakhstan

T +7-727-9730667
nikia.panfilov@hikvision.ru

Hikvision Vietnam

T +84-974270888
sales.vt@hikvision.com

Hikvision UAE

T +971-4-4432090
salesme@hikvision.com

Hikvision Singapore

T +65-6684-4718
sg@hikvision.com

Hikvision Spain

T +34-91-737-16-55
info.es@hikvision.com

Hikvision Tashkent

T +99-87-1238-9438
uzb@hikvision.ru

Hikvision Hong Kong

T +852-2151-1761
info.hk@hikvision.com

Hikvision Russia

T +7-495-669-67-99
saleru@hikvision.com

Hikvision Korea

T +82-(0)31-731-8817
sales.korea@hikvision.com

Hikvision Poland

T +48-22-460-01-50
info.pl@hikvision.com

Hikvision Indonesia

T +62-21-2933759
Sales.Indonesia@hikvision.com

Hikvision Colombia

sales.colombia@hikvision.com

05059620200420