

# IRLMR 6 LED

Deliver high power white light for CCTV & IP camera at night time and improve performance of camera to get clear pictures.



## Product Features



- Precise secondary optical technology  
The latest LED technology assures outstanding performance of LED with excellent luminous efficiency and more uniform illumination
- Independent innovation of high efficiency power drive schemes  
Low failure rate of products is guaranteed because of professional in-house optimized independent circuit technology widely used in our LED illuminators for more than 5 years
- High thermal conductivity aluminum  
Excellent thermal management not only reduces excess heat and brightness decay of LED but also ensures efficient, reliable and continuous operation of LED throughout its lifetime as 50,000 hours
- Energy saving technology  
All illuminators has energy saving circuit with low electrical power consumption.
- Thinner and lighter design  
Our patent owned housing is designed for simple installation and easy operation to reduce construction difficulty
- Warranty period  
3 year warranty

## Basic Function

- To improve performance of the weak light camera, thereby enhancing the picture effects at night
- Conventional night monitoring
- The function of video analysis at night
- Reduce signal noise and other image distortion
- Reduce the network bandwidth requirements
- Energy saving by power factor correction
- Reduce the equipment cost
- Lower cost of installing and wiring
- Indoor and outdoor use

## Viewing picture at night



With IR light

Without IR light

## Picture



Hidden glass

Transparent glass

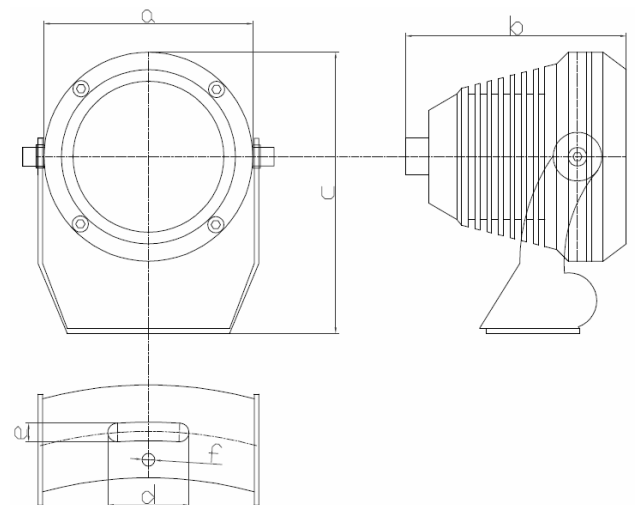
## Product Certificate



## Technical Specification

LED type: 6 pieces high power IR LED  
 Wavelength: 740nm/850nm/940nm  
 Beam angle: 15 to 120°  
 Beam distance: 80m to 12m(850nm)  
 Bracket: wall mount bracket  
 Working voltage: DC12V  
 Current: 800mA(850nm)  
 Cable: 0.45m  
 Day/night switch: automatic  
 Working temperatures: -30 to 50°C  
 Protection level: IP66  
 Color: black  
 Panel: tempered glass panel  
 Housing: aluminum die-casting housing  
 N.W: 0.53KG  
 G.W: 0.6KG  
 Packing dimension: 140\*115\*105mm

## Drawing



a: 90mm      b: 97mm  
 c: 121mm     d: 35mm  
 e: 8mm        f: 5.5mm

## Model for Selection

Model	Beam angle	IR distance (850nm)
IRLMR15/80/12	15°	80m
IRLMR30/60/12	30°	60m
IRLMR45/40/12	45°	40m
IRLMR60/22/12	60°	22m
IRLMR90/16/12	90°	16m
IRLMR120/12/12	120°	12m

\*IR distance is tested by Sony 1/3 CCD Camera with 0.01LX.

To achieve the distance needed, please pay attention to your camera specification and lens before purchase. It is normal phenomenon that distance may vary due to different cameras and lens.